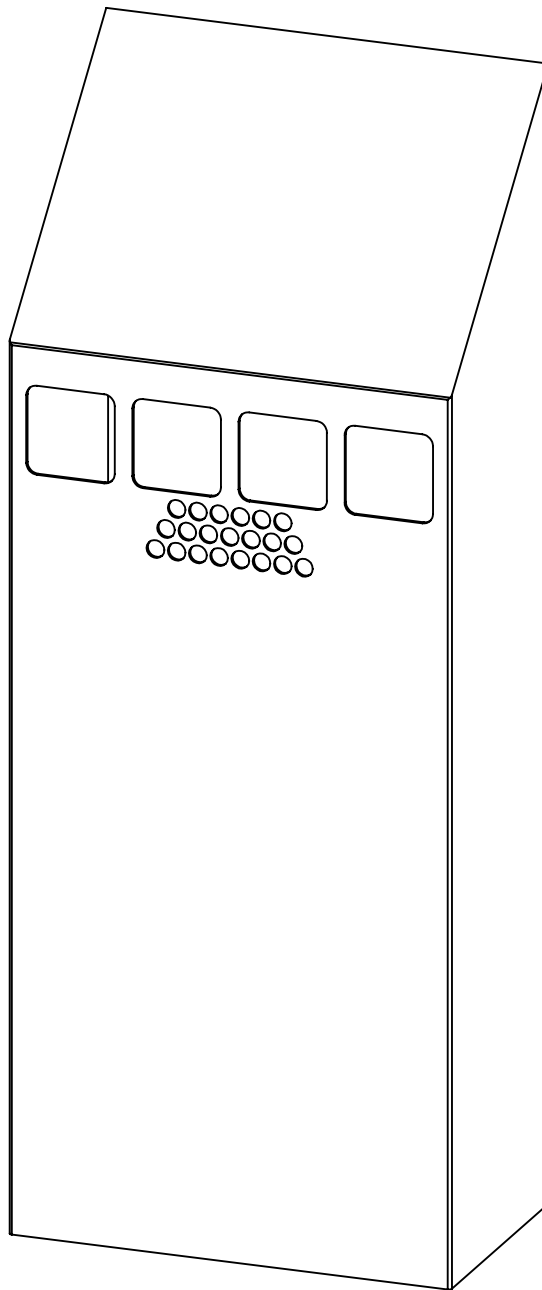
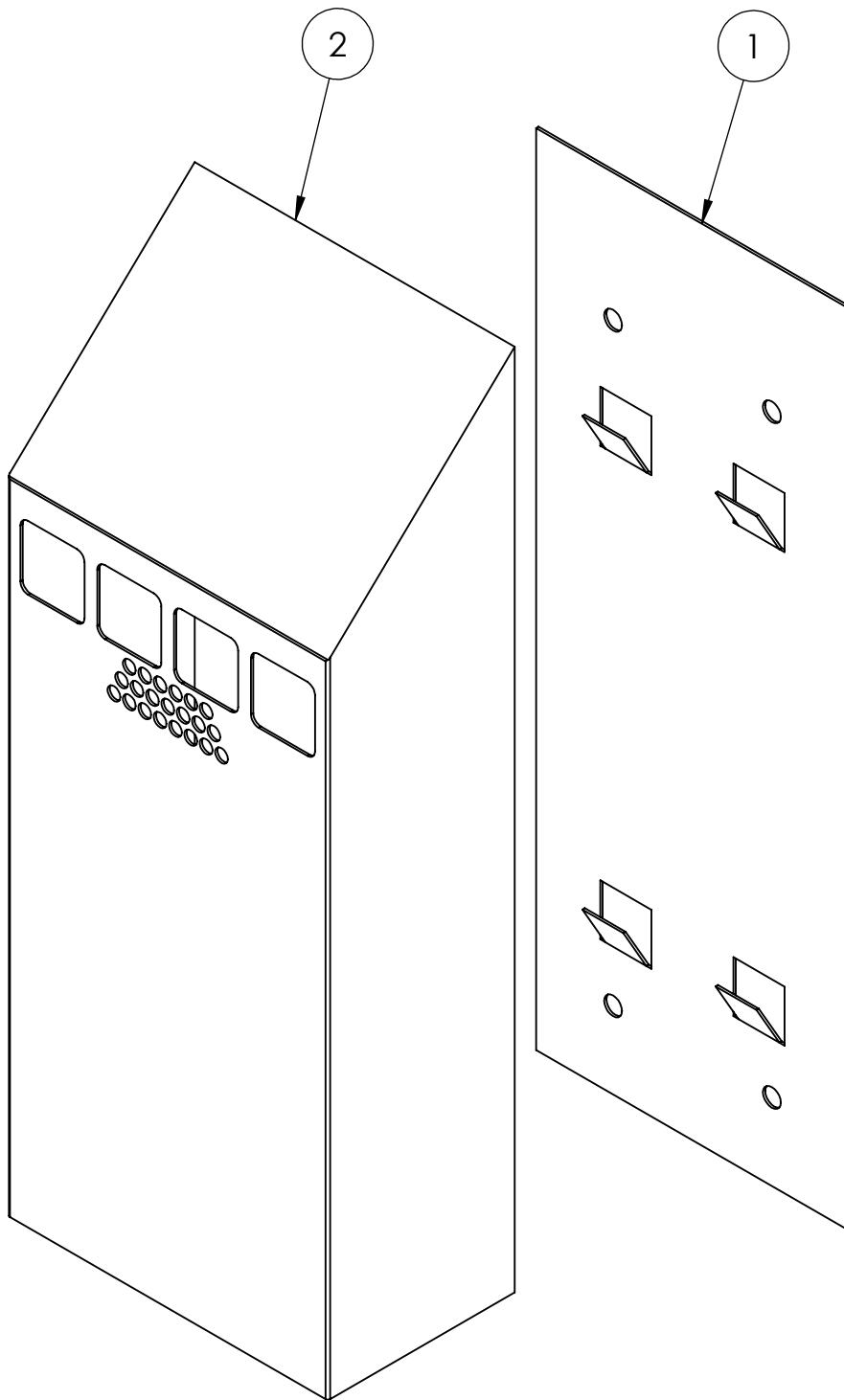


Budget Smoking Bin Assembly Instructions



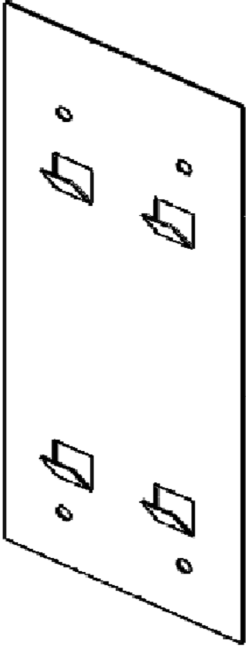
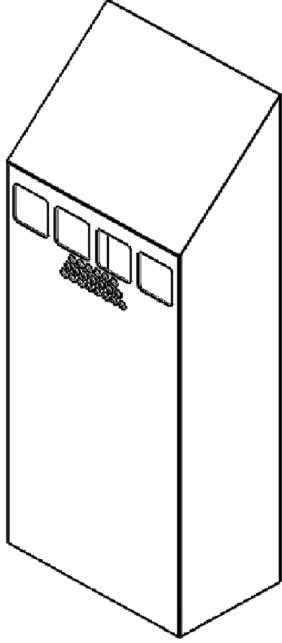


Tools required: (Not supplied)



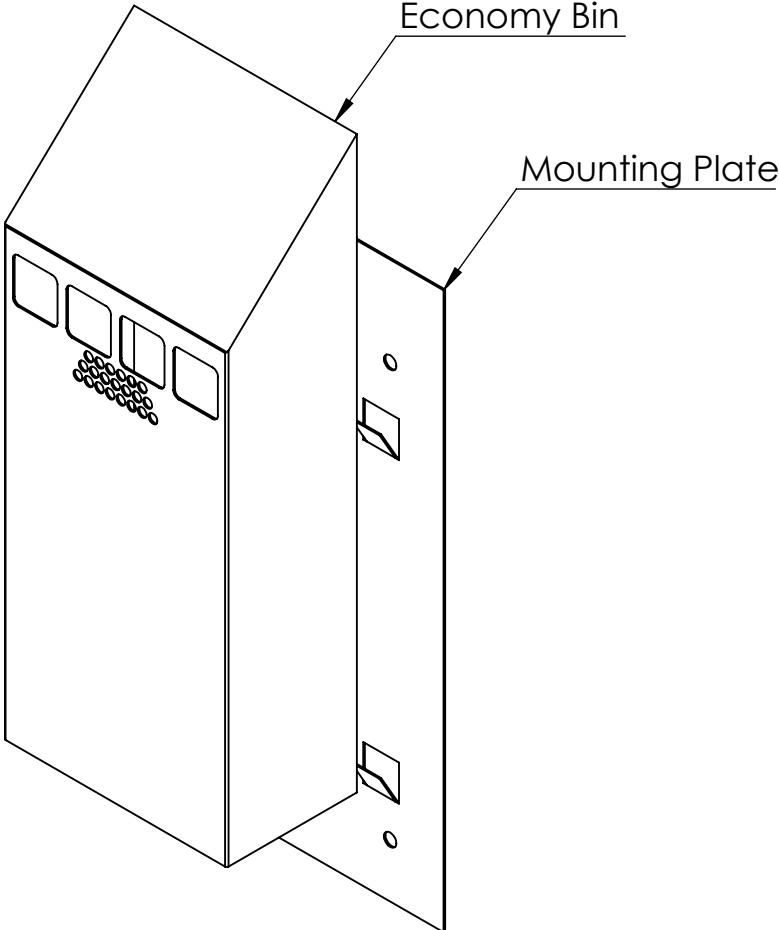
Drill/Screwdriver

PARTS LIST & FITTINGS

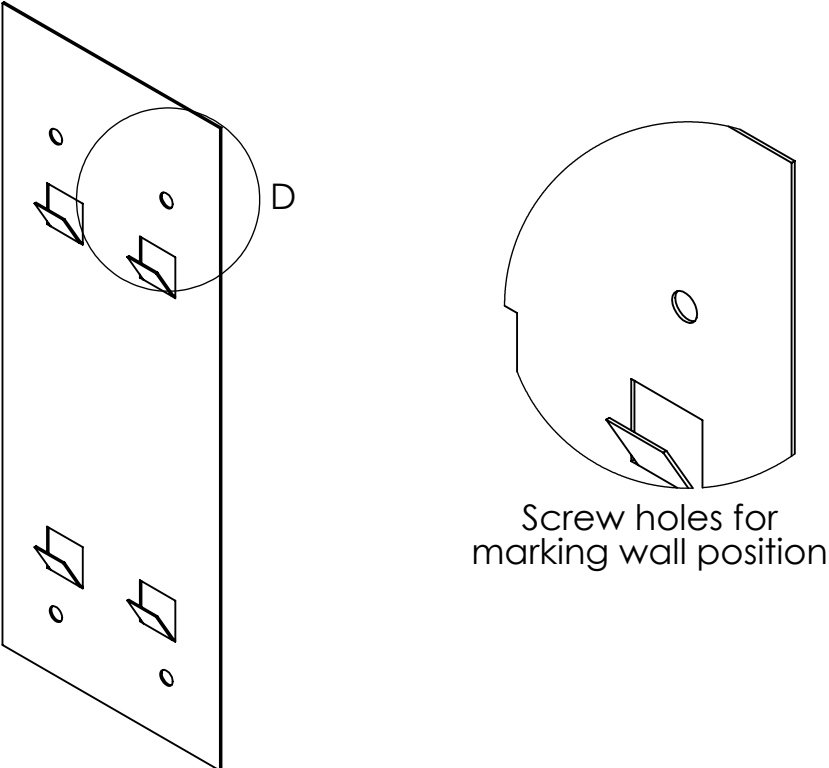
ITEM NO.	PART NAME	DRG NUMBER	QTY.
1	Eco Bin Mounting Plate		1
2	Economy Bin		1

Fittings	Wall Plugs	M5x50 Screw
Quantity	4	4

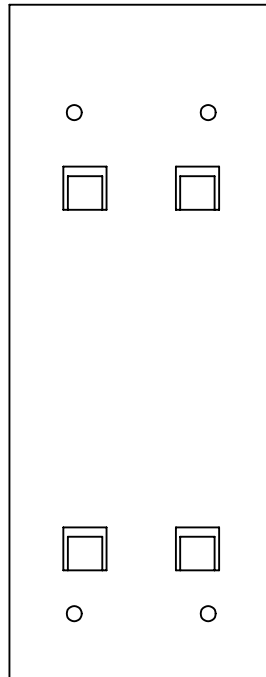
Step 1 Remove **Economy Bin** from **Mounting Plate**



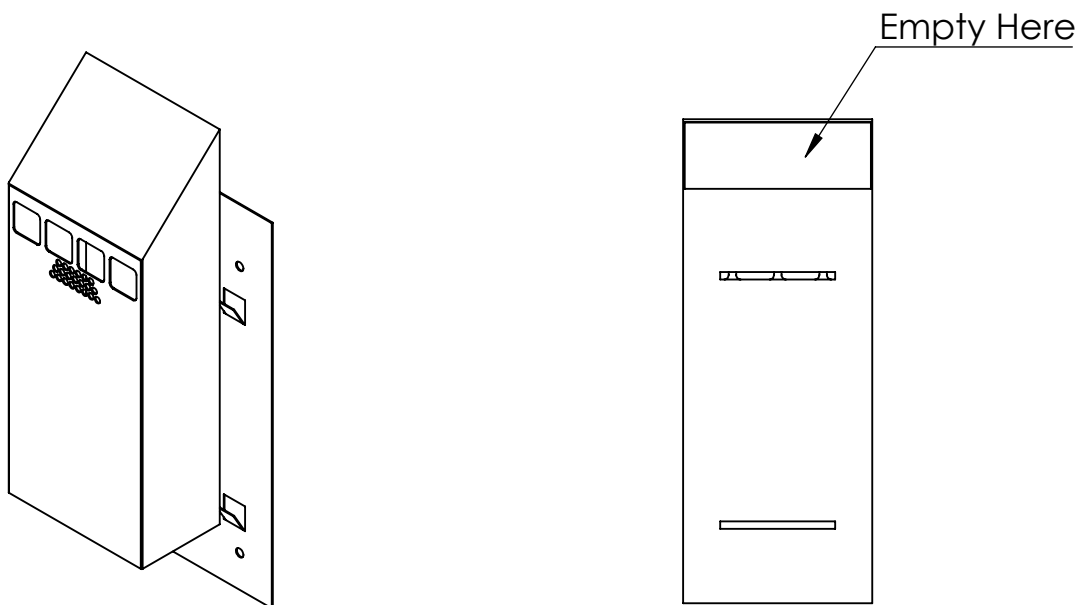
Step 2 Use **Mounting Plate** to mark hole positions to be drilled on wall, approximately 1300mm from ground to top of **Mounting Plate**.



Step 3 Insert **Wall Plugs** into newly drilled holes, place **Mounting plate** over the holes and screw into place.



Step 4 Slide **Economy Bin** back over the tabs on the **Mounting Plate**, your bin is now ready for use.



To empty slide bin back off the tabs and empty through gap at the top of the bin.

Notes:

Notes:

THANK YOU FOR PURCHASING THIS PRODUCT

MAINTENANCE:

To ensure your products give you many years of use we recommend that you:

- Clean front face daily with soapy water
- Ensure all fittings are tight

All Parts and Fixings checked by:	
Print Name:	Signature: